

Island Hot/Cold Combo Merchandiser



NOTE: All temperature controlled cases are designed to operate in an environment of 75°F ambient temperature and 55% humidity level. Rear of unit needs to be 6" from a wall or obstruction.

Product specifications and design are subject to change without notice. Such changes do not entitle the buyer to corresponding changes, improvements, additions or replacement for equipment previously sold or shipped.

| MODEL NUMBER | DIMENSIONS (L x D x H) |
|--------------|------------------------|
| IMBRSS4260S4 | 64" x 50-5/8" x 57" |

Island Hot/Cold Combo Merchandiser

STANDARD FEATURES

Case Interior - Upper - Heated

- One level of heated display
- Over and under heated merchandising with 28 Dome capacity
- Product should be placed in unit while food is still at or above 170°

Case Interior - Lower - Refrigerated

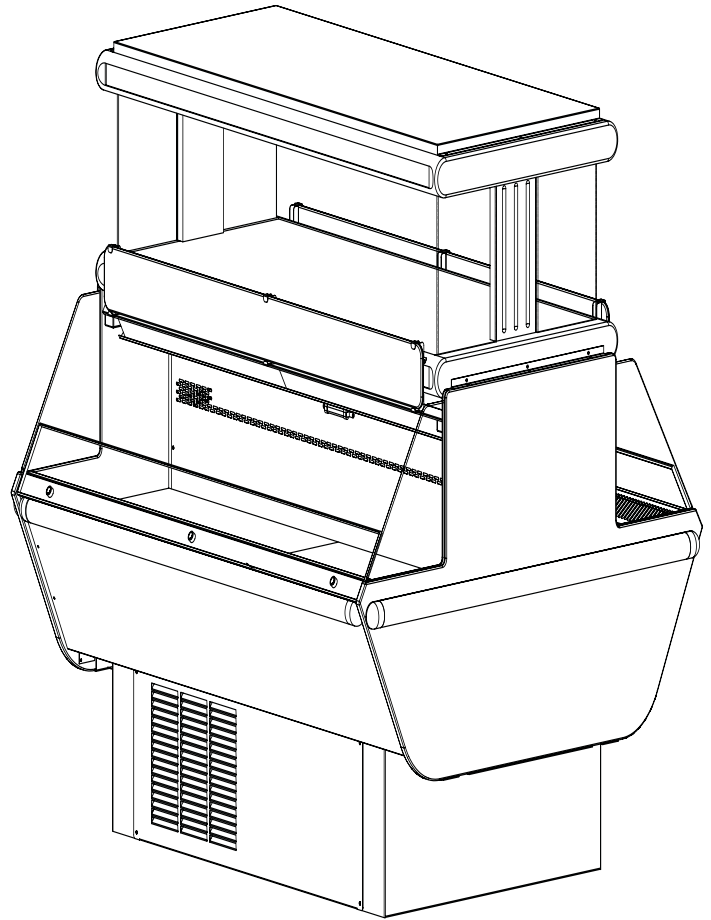
- Lower refrigeration areas designed for 52-3lb. salad tubs or 52-2 liter beverage merchandising

Lighting

- Overhead lighting on each refrigerated side

Construction

- Stainless hardcoat surface on heated displays that is scratch resistant
- Sheet metal base construction
- Powder coated sheet metal back



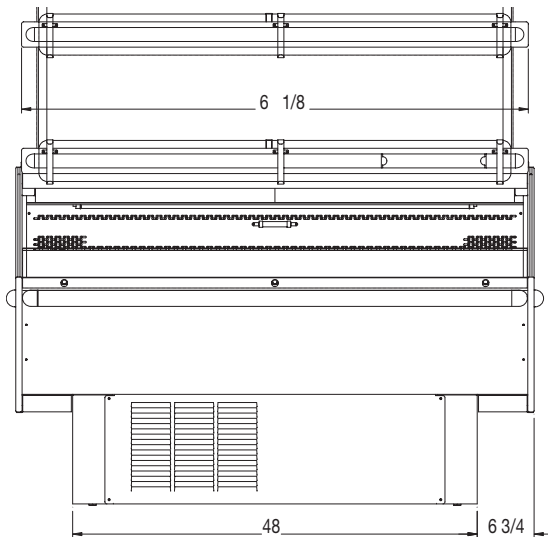
NOTE: All temperature controlled cases are designed to operate in an environment of 75°F ambient temperature and 55% humidity level. Rear of unit needs to be 6" from a wall or obstruction.

Product specifications and design are subject to change without notice. Such changes do not entitle the buyer to corresponding changes, improvements, additions or replacement for equipment previously sold or shipped.

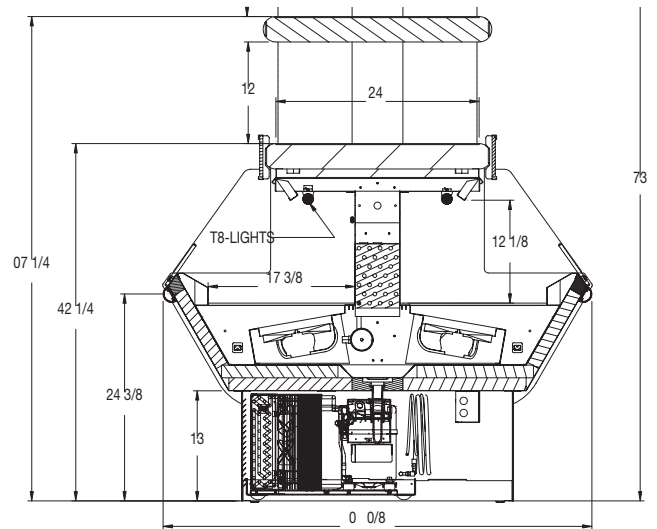
| MODEL NUMBER | DIMENSIONS (L x D x H) |
|--------------|------------------------|
| IMBRSS4260S4 | 64" x 50-5/8" x 57" |

Island Hot/Cold Combo Merchandiser

FRONT VIEW



SIDE VIEW



| PRODUCT SPECIFICATION | STANDARD | OPTION(S) |
|-------------------------|-------------------------------------|---|
| Interior Color | Black or White | |
| Lower Front Panel Color | Black or White | WilsonArt Standard and Custom Lamnates |
| End Panel Color | Black or White | WilsonArt Standard and Custom Laminates |
| End Panels | Open/cut away with acrylic | |
| Cover | | Security cover with lock |
| Curtain | | Available with solid end panels only |
| Refrigeration | Self-contained, pull-out compressor | Remote |
| Base Frame | Levelers | |

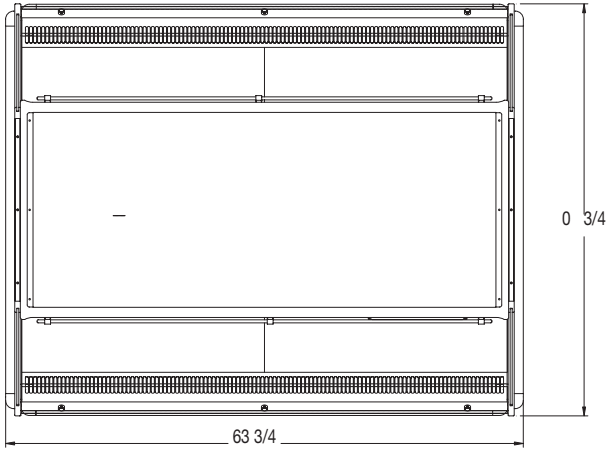
NOTE: All temperature controlled cases are designed to operate in an environment of 75°F ambient temperature and 55% humidity level. Rear of unit needs to be 6" from a wall or obstruction.

| MODEL NUMBER | DIMENSIONS (L x D x H) |
|--------------|------------------------|
| IMBRSS4260S4 | 64" x 50-5/8" x 57" |

Product specifications and design are subject to change without notice. Such changes do not entitle the buyer to corresponding changes, improvements, additions or replacement for equipment previously sold or shipped.

Island Hot/Cold Combo Merchandiser

FOOTPRINT



CERTIFICATIONS:

NOTE: CSC Worldwide products are certified to conform to NSF standards #2, #4, or #7, and UL standards #65, #197 or #471 through one or more of the following agencies: UL, NSF, ETL. Contact CSC Worldwide for verification or requests for certification.



| MODEL | LENGTH | SELF-CONTAINED | | | | | FREIGHT | |
|--------------|--------|----------------|-------------|--------------------|-------------------|-------------------|----------|-----------|
| | | HEATED VOLTS | HEATED AMPS | REFRIGERATED VOLTS | REFRIGERATED AMPS | NEMA-TWO REQUIRED | SHIP WT. | FRT. CLS. |
| IMBRSS4260S4 | 64" | 120 | 16 | 120/208 | 14.2 | L14-20P 5-20P | 700 | 125 |

NOTE: All temperature controlled cases are designed to operate in an environment of 75°F ambient temperature and 55% humidity level. Rear of unit needs to be 6" from a wall or obstruction.

Product specifications and design are subject to change without notice. Such changes do not entitle the buyer to corresponding changes, improvements, additions or replacement for equipment previously sold or shipped.

| MODEL NUMBER | DIMENSIONS (L x D x H) |
|--------------|------------------------|
| IMBRSS4260S4 | 64" x 50-5/8" x 57" |